

microMD

Microwave oven

Model:
microMD UK
microMD Euro

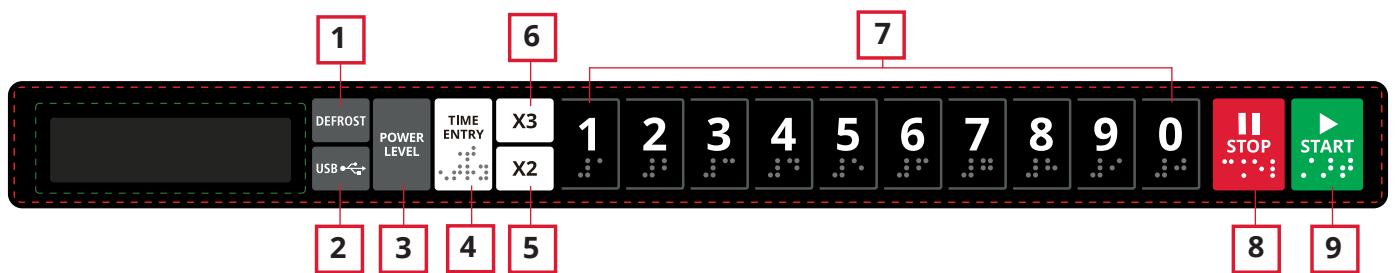


Standard Features

- Compact design fits on standard 50cm (19.7") worktop
- USB memory stick data transfer
- Easy plug and play operation
- 17L capacity
- Cool-to-touch exterior
- Braille supported control panel
- Very easy to clean
- Robust construction to withstand heavy commercial use
- Stainless steel exterior

Control panel

- | | | |
|-----------------------------|---------------------------------|------------------------------|
| 1 Defrost button | 4 Time entry button | 7 Number buttons |
| 2 USB buttons | 5 Double quantity button | 8 Stop / reset button |
| 3 Power level button | 6 Triple quantity button | 9 Start button |

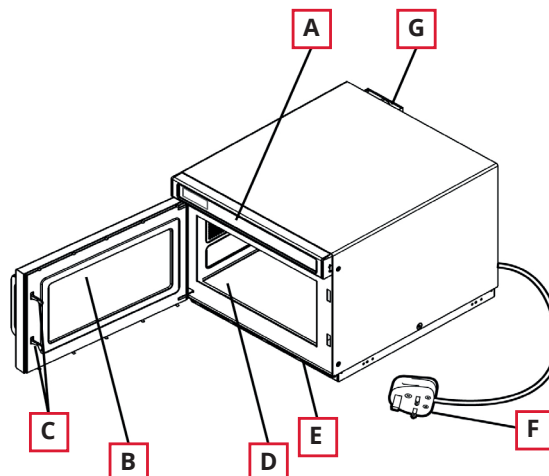


Specifications

The Merrychef MicroMD is the perfect choice for anyone who wants complement their existing Merrychef oven with an additional resource to improve efficiency in a commercial kitchen.

The Merrychef MicroMD is ideal for quick, basic food reheats, particularly from frozen.

One standard Merrychef MicroMD unit runs off a standard domestic 13A-16A supply.

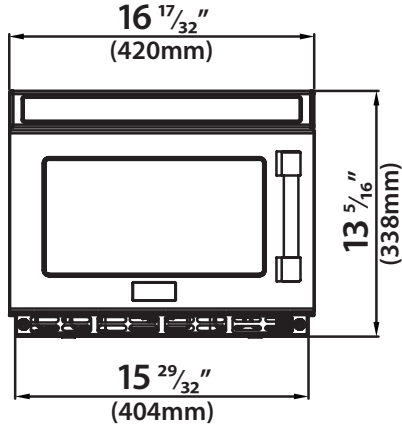


- A** Control panel
- B** Observation window
- C** Safety interlock system
- D** Ceramic board
- E** Filter
- F** Plug
- G** Ventilation

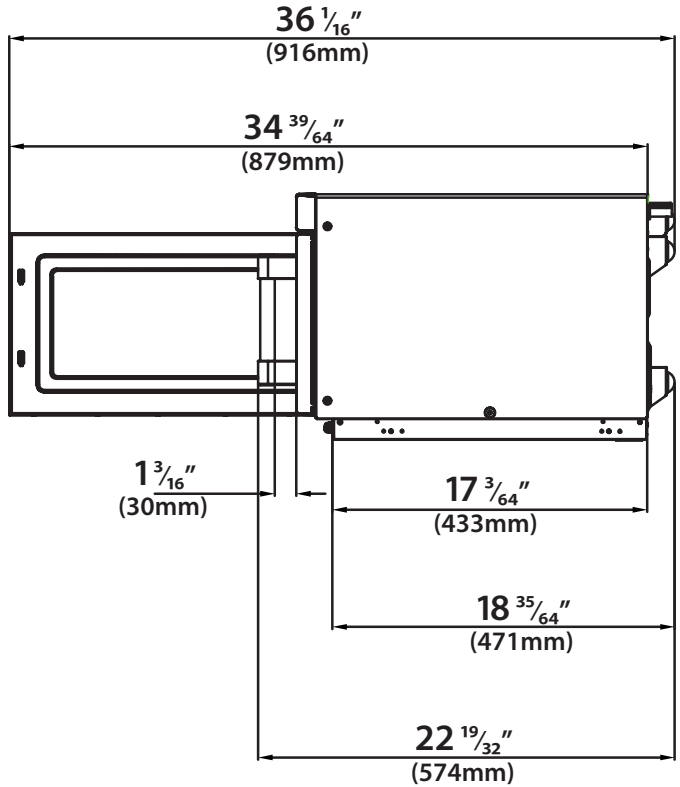


Expanding Your Opportunities

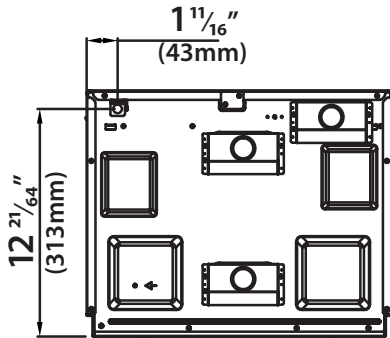
FRONT VIEW



SIDE VIEW (DOOR OPEN)



BACK VIEW



DIMENSIONS

MODEL	OVERALL SIZE			WEIGHT	CAPACITY
	HEIGHT	WIDTH	DEPTH		
Micro MD	16" (338mm)	32" (420 mm)	32" (574 mm)	NET 31.6kg GROSS 33kg	17L

POWER REQUIREMENTS & OUTPUT

ELECTRICAL SUPPLY						POWER OUTPUT (APPROX.)
Country / Region	Voltage	Arrangement	Plug Type	Plug Current Rating per Phase*	Max. Power Input	Microwave** (IEC 705) 100%
UK	240V 50 Hz	Single Phase	L+N+E	13A	3000 W	1800 W
EU	230V~50Hz	Single Phase	L+N+E	16A Schuko	3000 W	1800 W

*This is not consumption. **This is approx. microwave power output.