

Food Processor Cutter Mixer 5.5 LT - Variable Speed

ITEM # _____

MODEL # _____

NAME # _____

SIS # _____

AIA # _____


600510 (K55YVV)

Cutter Mixer 5,5 lt bowl capacity, variable speed 300 to 3700 rpm. Supplied with micro toothed blade rotor and stainless steel bowl

Short Form Specification

Item No.

2 in 1 machine: table-mounted cutter and emulsifier thanks to the ergonomic and easily dismantlable scraper, in heavy duty composite material, for liquidising, mixing and mincing in a matter of seconds. Stainless steel 5,5 litre bowl with high chimney to increase the real capacity of the bowl (use up to 75% of nominal capacity). Unique bowl design for mixing both large or small quantities. Transparent lid to check consistency of food and to eventually add ingredients without having to open the lid. Hinged cover, when lifted, remains open to permit a fast and easy check of preparation. Micro toothed blades in 420 AISI stainless steel. All parts are easily dismantled and dishwasher safe. Multiple safety devices ensure the machine will only operate when the cover is properly closed and all parts are correctly positioned. Flat and waterproof control panel with on/off button, pulse function and variable speed (from 300 to 3700 rpm). Possibility to upgrade to a combi machine just adding the vegetable slicer attachment.

Main Features

- Kit to convert food processor into vegetable slicer available as accessory.
- Table-mounted robust cutter and emulsifier allows fast liquidizing, mixing, chopping, mincing, and pastry-making.
- Flat and waterproof control panel with on/off button and pulse function.
- Microswitch and safety devices on handle, lid and bowl.
- Emulsifier function (scraper) included as standard.
- Lid with central opening to add ingredients in mid-cycle.
- All parts in contact with food are removable without the use of tools, completely dismantlable and dishwasher safe.
- Pulse function to coarse chopping.
- Base fixed cover for a better handling.
- Productivity suitable for 50-100 meals per service.

Construction

- Stainless steel 5.5 liter bowl has a high chimney to ensure high productivity also when processing liquids.
- Variable speed from 300 to 3700 rpm.
- Microtoothed blades in 420 AISI stainless steel and ergonomic scraper in high resistant composite material to ensure consistent mixing.
- Transparent lid incorporates a magnetic contact safety system.
- Improved ventilation system to manage smoothly heavy duty use.
- Reinforced feet to withstand the repeated handling of the unit.

Included Accessories

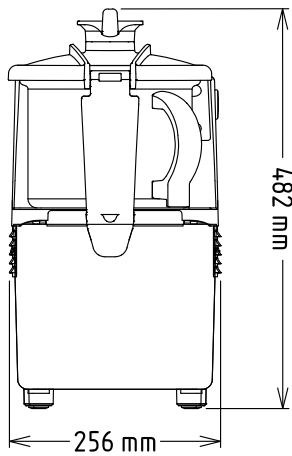
- 1 of Lid and bowl scraper for 5,5 lt cutter mixer PNC 650102
- 1 of Microtoothed blade rotor for 5,5 lt cutter mixer PNC 653582
- 1 of Stainless steel bowl for 5,5 lt cutter mixer PNC 653590

Optional Accessories

- Microtooth blade rotor (emulsifier) for 5,5 lt cutter mixer PNC 650040
- Lid and bowl scraper for 5,5 lt cutter mixer PNC 650102
- Emulsifying kit for TRK, K55 variable speed, including 5,5 lt ss bowl, smooth emulsion blade, lid and scraper PNC 650103
- Smooth blade rotor for 5,5 lt cutter mixer PNC 653581
- Microtoothed blade rotor for 5,5 lt cutter mixer PNC 653582
- Stainless steel bowl for 5,5 lt cutter mixer PNC 653590
- Smooth blade rotor (emulsifier) for 5,5 lt cutter mixer PNC 653665

APPROVAL: _____

Front


Electric

Supply voltage:	200-240 V/1N ph/50/60 Hz
600510 (K55YVV)	
Electrical power max.:	1.3 kW
Total Watts:	1.3 kW

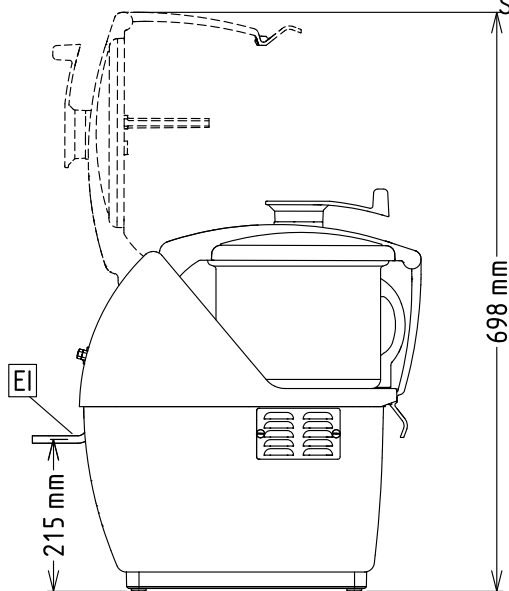
Capacity:

Performance (up to):	2.5 - kg/Cycle
Capacity:	5.5 litres

Key Information:

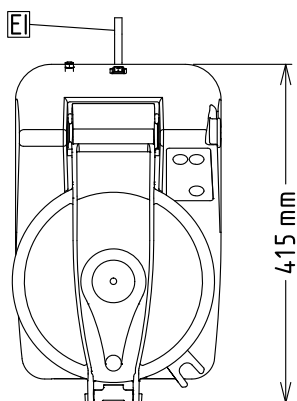
External dimensions, Width:	256 mm
External dimensions, Height:	482 mm
External dimensions, Depth:	415 mm
Shipping weight:	23 kg
Waterproof index:	IP23

Side



EI = Electrical inlet (power)

Top


**Food Processor
Cutter Mixer 5.5 LT - Variable Speed**

The company reserves the right to make modifications to the products without prior notice. All information correct at time of printing.